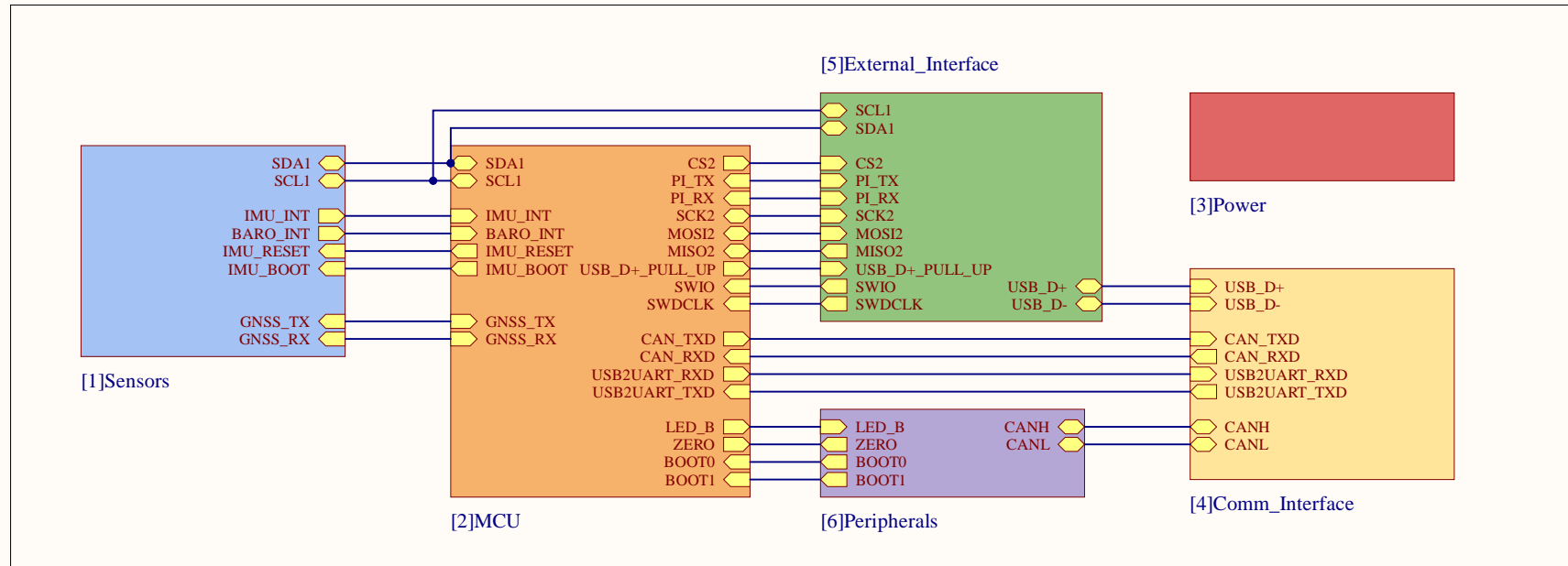


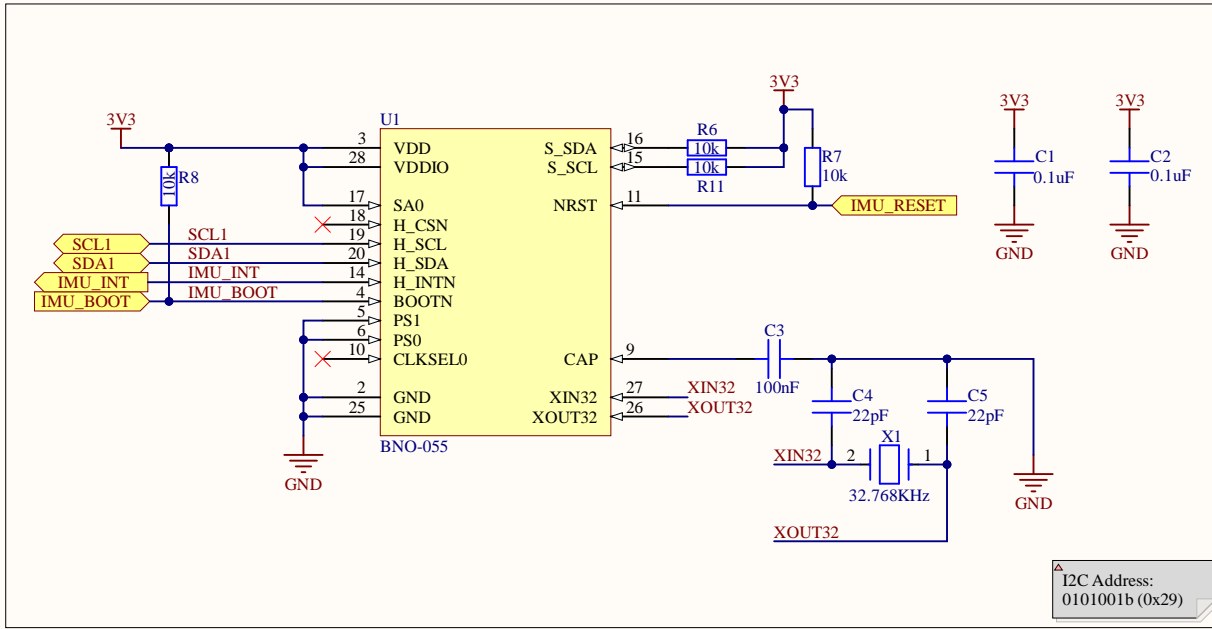
# Sensor Board Rev 4.0



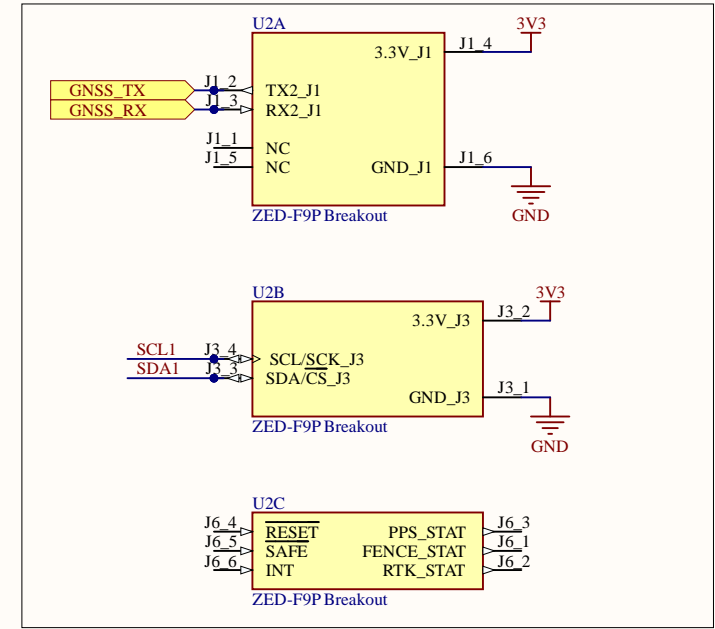
Title		
Size	Number	Revision
A4		
Date:	9-07-2024	Sheet of
File:	C:\Users\...\Top_Level.SchDoc	Drawn By:

# [1] Sensors

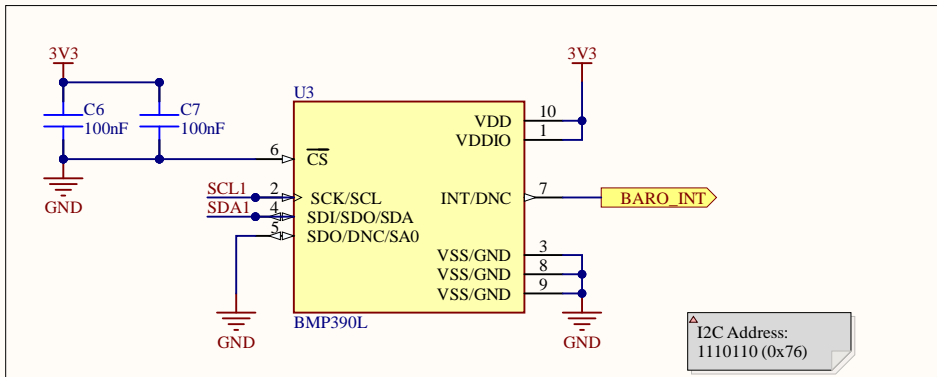
BNO-055: Accelerometer, Gyroscope, & Magnetometer



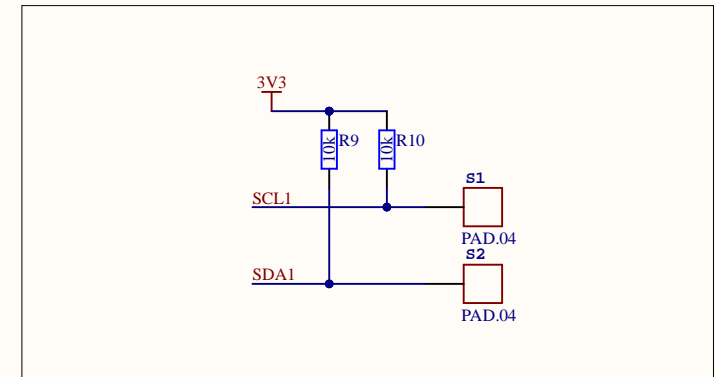
ZED-P9P Breakout: GNSS Module



BMP390L: Barometric Pressure Sensor



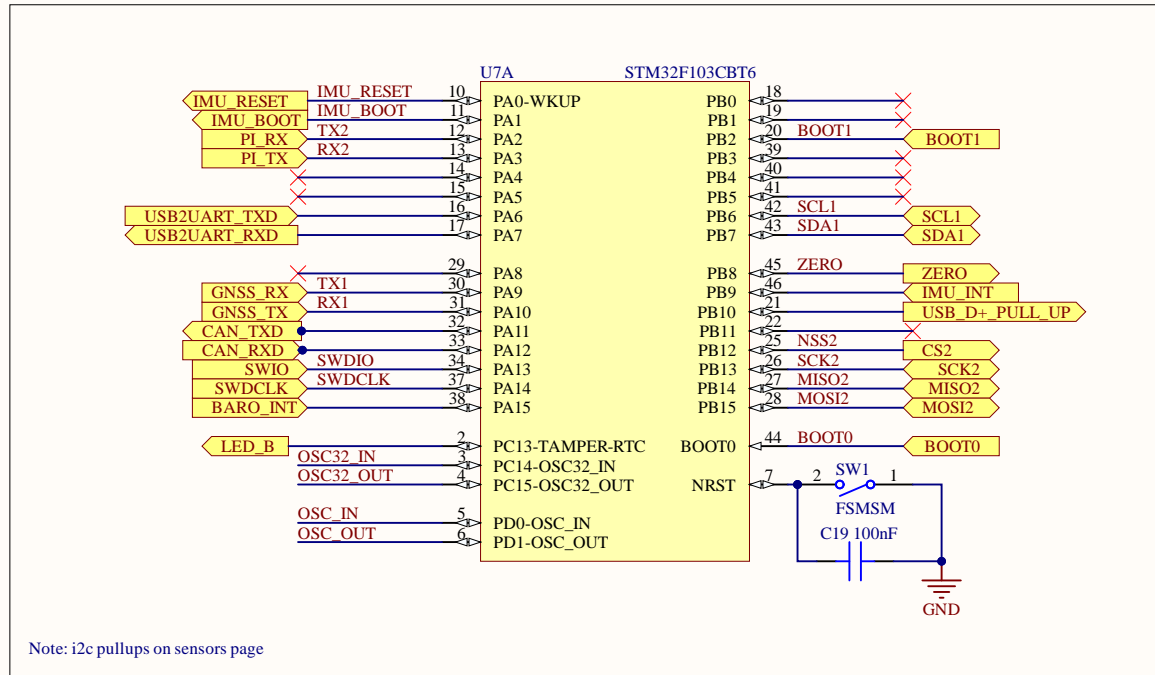
SCL1, SDA1 Test Pads



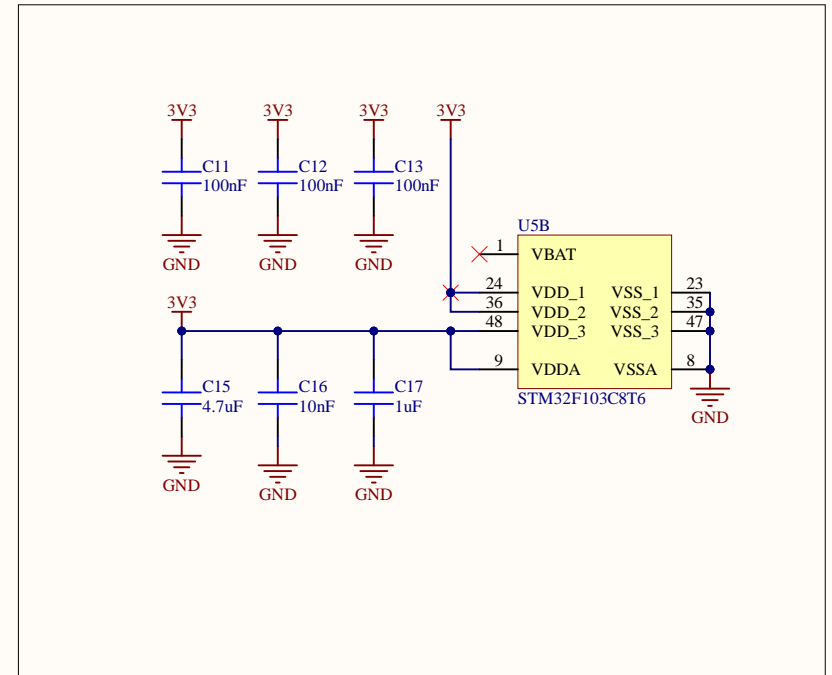
Title		
Size	Number	Revision
A4		
Date:	9-07-2024	Sheet of
File:	C:\Users\...\[1]Sensors.SchDoc	Drawn By:

# [2]MCU

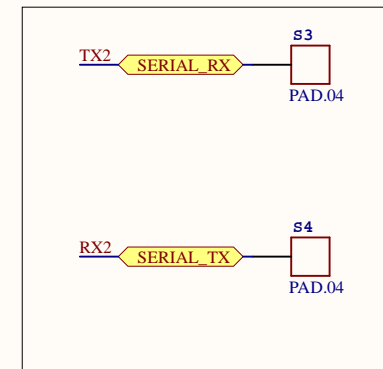
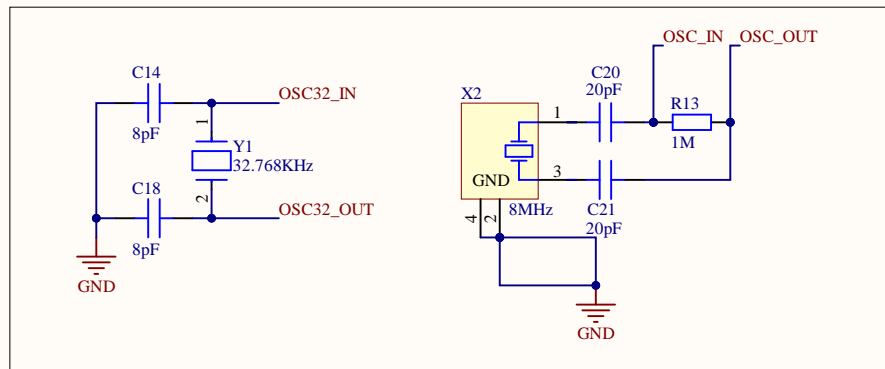
STM32 MCU



STM32 Power Management



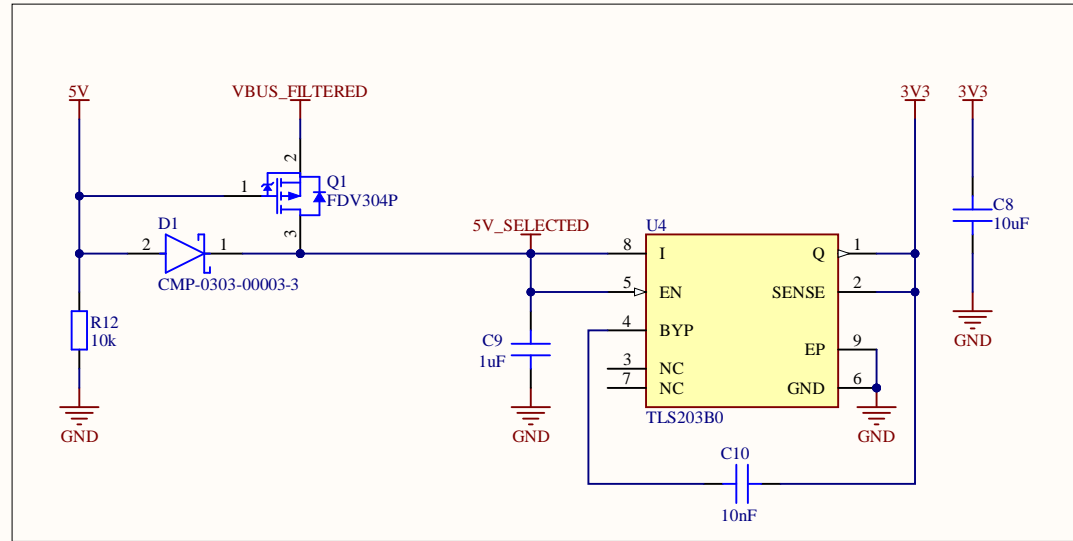
STM32 Clock Signal



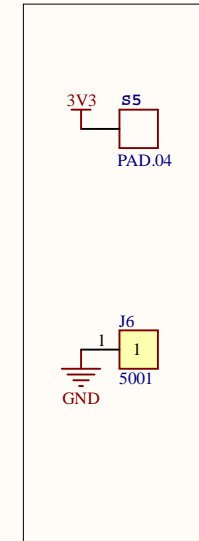
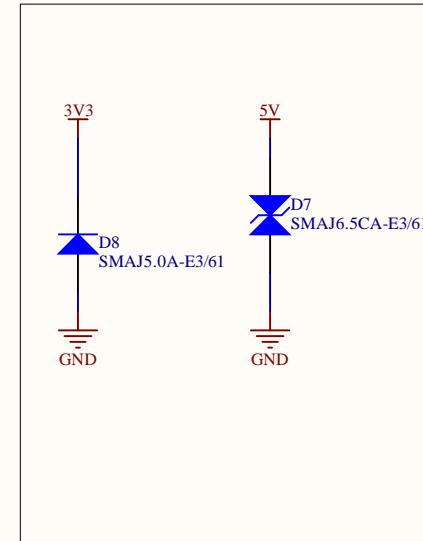
Title		
Size	Number	Revision
A4		
Date:	9-07-2024	Sheet of
File:	C:\Users\...\[2]MCU.SchDoc	Drawn By:

# [3]Power

TLS203B0: LDO 5V to 3V3



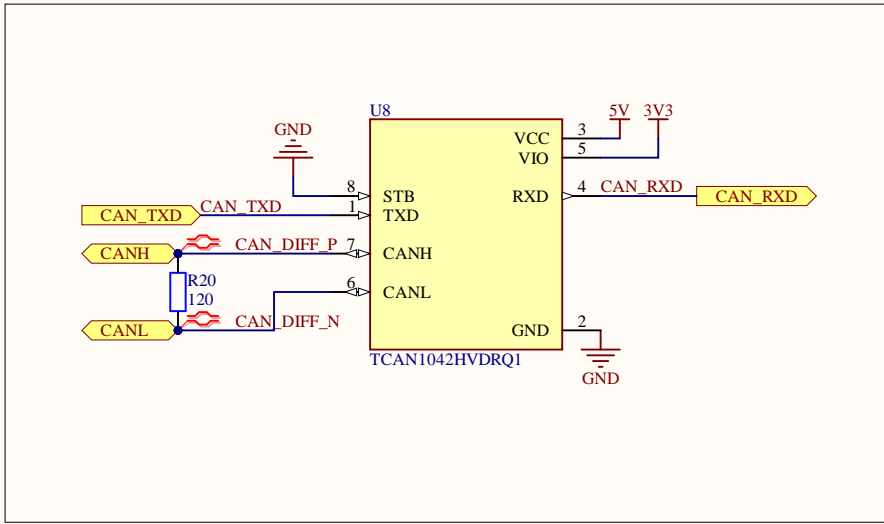
TVS Diodes: 5V & 3V3 Line



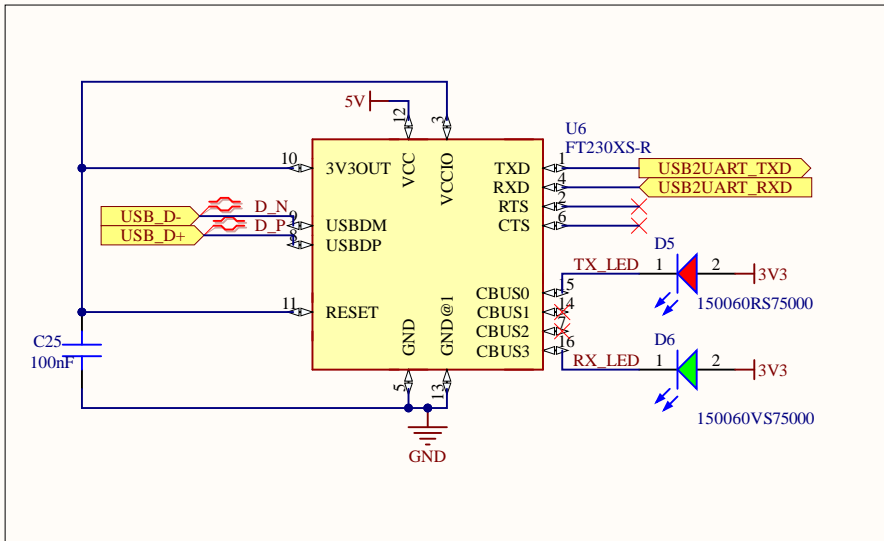
Title		
Size	Number	Revision
A4		
Date:	9-07-2024	Sheet of
File:	C:\Users\...\[3]Power.SchDoc	Drawn By:

# [4]Comms Interface

TCAN1042HVDRQ1: CAN Transceiver



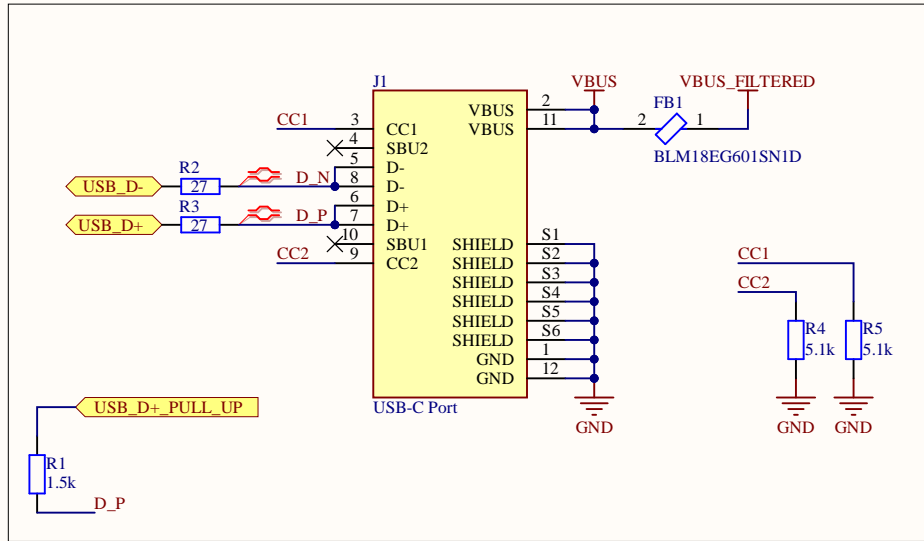
FT230XS-R: USB to UART



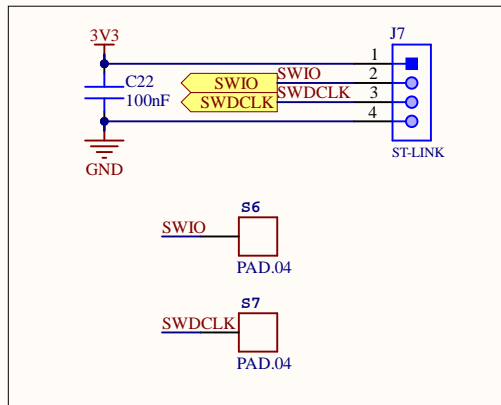
Title		
Size	Number	Revision
A4		
Date:	9-07-2024	Sheet of
File:	C:\Users\...\[4]Comm_Interface.SchDoc	Drawn By:

# [5]External Interfaces

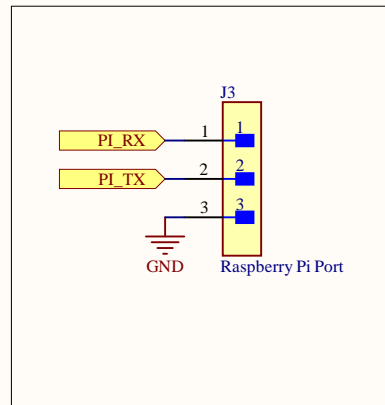
USB-C Port



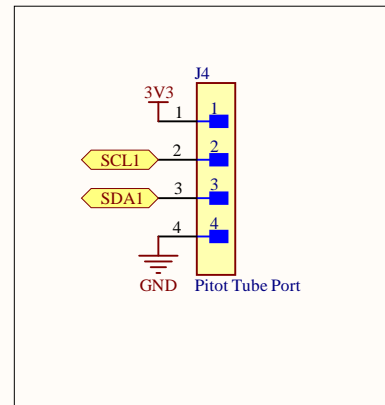
ST-LINK



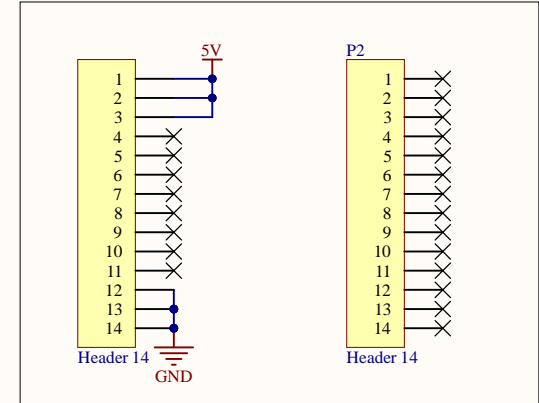
Raspberry Pi



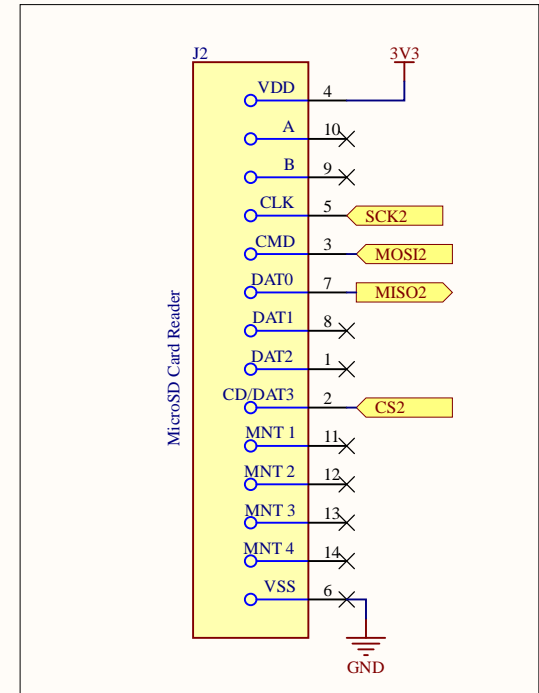
Pitot Tube



Header Pins



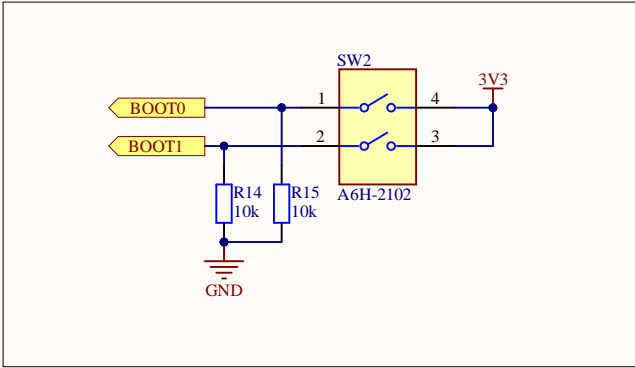
MicroSD Card Reader



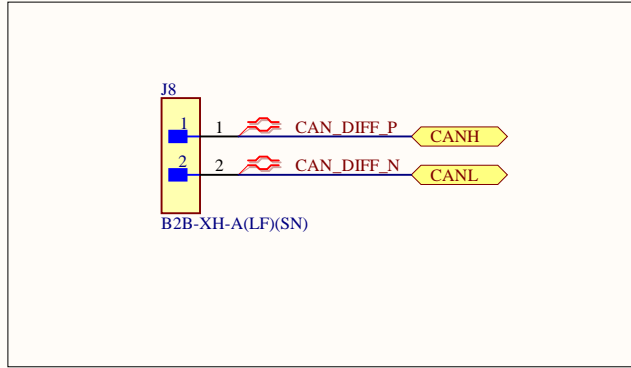
Title		
Size	Number	Revision
A4		
Date:	9-07-2024	Sheet of
File:	C:\Users\...\[5]External_Interface.SchDoc	Drawn By:

# [6]Peripherals

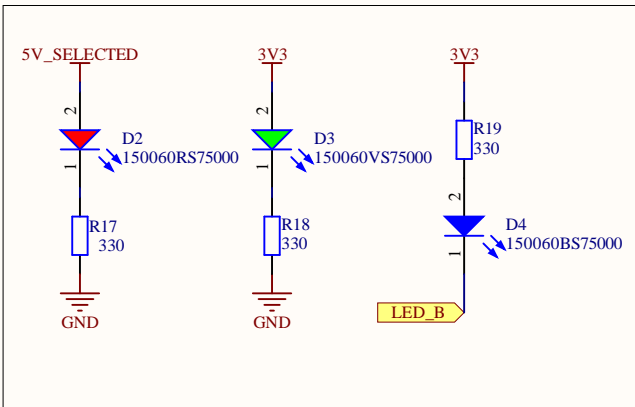
A6H-2102: Relay



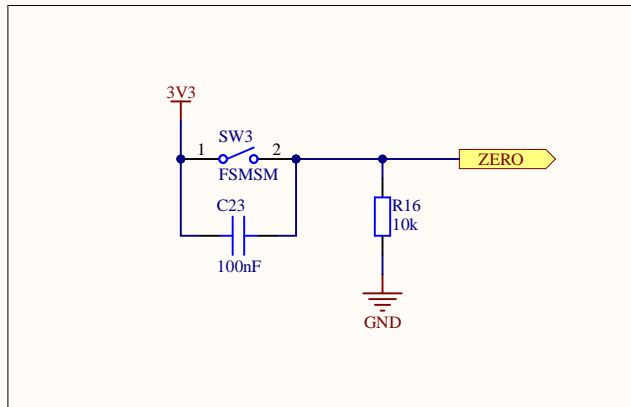
CAN BUS



Indicator LEDs



ZERO Switch



Title		
Size A4	Number	Revision
Date: 9-07-2024	Sheet of	
File: C:\Users\...\[6]Peripherals.SchDoc	Drawn By:	